

Fontana Creteil Gooseneck Floor Standing Basin
Bathroom Faucet Hot Cold Mixer
Tap Matte Black Finish



PRIOR TO INSTALLATION

Please read installation instructions below. All plumbing should be installed in accordance with applicable building codes and regulations.

Unpack and inspect the items for any shipping damages. If you find damages, do not install.

All products must be installed by a professional and certified plumber otherwise warranty may be voided.

POSSIBLE TOOLS REQUIRED*



Plumbers Tape



Tape Measure



Level



Adjustable Wrench



Hex Wrench



Thread Sealant



Drill



Pencil or Marker

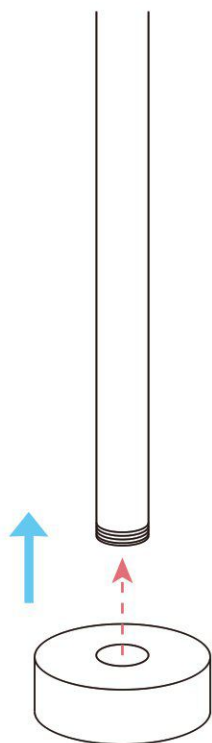


Screwdriver

*not included

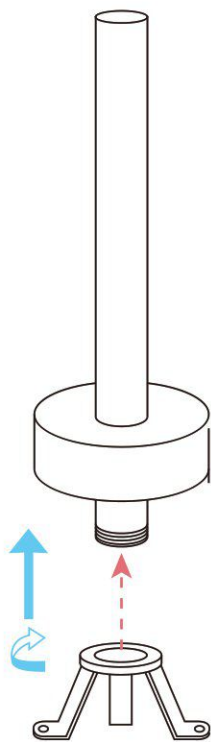
Installation Instructions

Step 1:



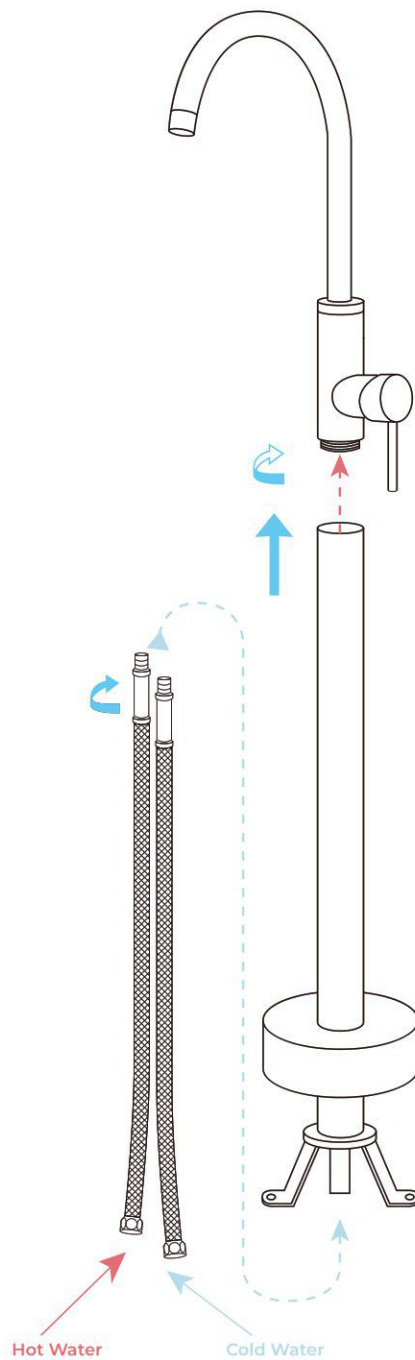
Position the Faucet body through the opening of the floor escutcheon.

Step 2:



Screw the permanent seat onto the bottom.

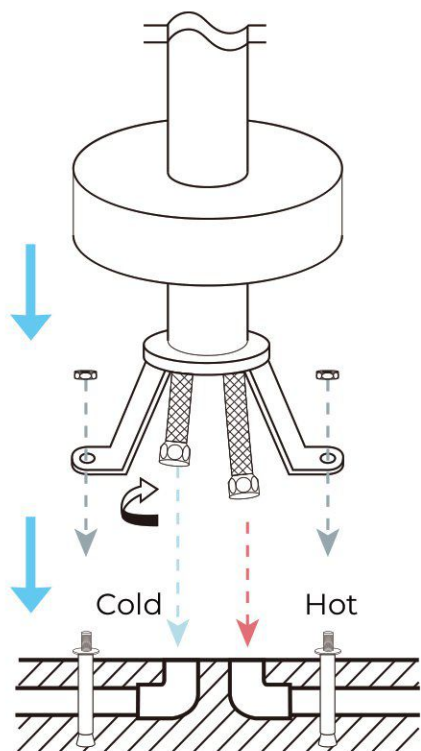
Step 3:



Pull the flexible hoses through the straight tube. Twist tight to attach them to the faucet.

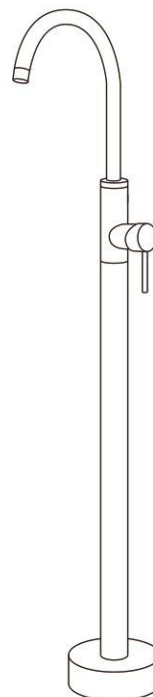
Twist to tighten the straight tube to the top of the faucet.

Step 4:



Tighten the screws to the permanent seat on the ground. Insert the flexible hoses into the hot and cold outlet tubes.

Step 5:



Install the hoses to the hand shower and the tub filler. Please check that the tub filler spout diverter and hand shower are functioning properly.

Care & Cleaning

- Always wipe your fixture down with a soft cloth after each use to prevent mineral build-up and water-spotting. Should spotting occur, remove water spots with warm water and a soft, damp cloth.
- Wipe away any debris adhering to the spout or sensor.
- Wipe away debris with a damp cloth containing a suitable amount of a neutral, dishwashing detergent. Then wipe clean with a damp cloth.
- Do not use detergent that might damage the surface of spout. These include:
 - Detergents containing acid, chlorine bleach or alkali.
 - Detergents that are coarse granules in nature, such as polishing powder.
 - Solvents such as paint thinner or benzene.
 - Abrasive aids such as nylon scrubbers/brushes, steel wool, etc.

Waterpipe Instructions

